

MODELL ULTIMATE6

| | | |
|----|--------------------------|---------------------|
| DE | MONTAGEANLEITUNG: | LENKERTASCHE |
| GB | ASSEMBLY INSTRUCTIONS: | HANDLEBAR BAG |
| FR | INSTRUCTIONS DE MONTAGE: | SACOCHE POUR GUIDON |
| IT | ISTRUZIONI DI MONTAGGIO: | BORSA DA MANUBRIO |
| NL | MONTAGE HANDLEIDING: | STUURTAS |
| DK | MONTERINGSVEJLEDNING: | STYRTASKE |

| | | |
|----|---------------------------|-----------------------|
| ES | INSTRUCCIONES DE MONTAJE: | BOLSA PARA MANILLAR |
| SE | MONTERINGS ANVISNING: | STYRSTÅNGS VÅSKA |
| NO | MONTERINGS ANVISNING: | STYREVESKE |
| FI | ASENNUSOHJEET: | TANKOLAUKKU |
| PL | INSTRUKCJA MONTAZU: | TOREBKA NA KIEROWNICE |
| JP | 組立方法 | ハンドルバーバッグ |



1.

22 - 31,8 mm
(Small to oversized) ✓ = O.K.

2.

Carbon

3.

✓ = O.K.

4.

1x ↻

5.

6.

Pull

7.

100% = #4

8.

✓ = O.K.
90°

9.

100% = #4

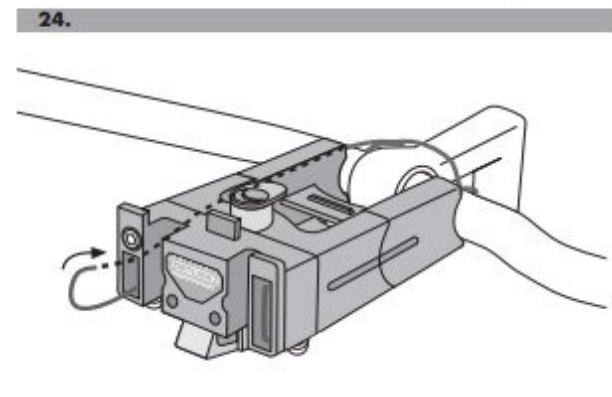
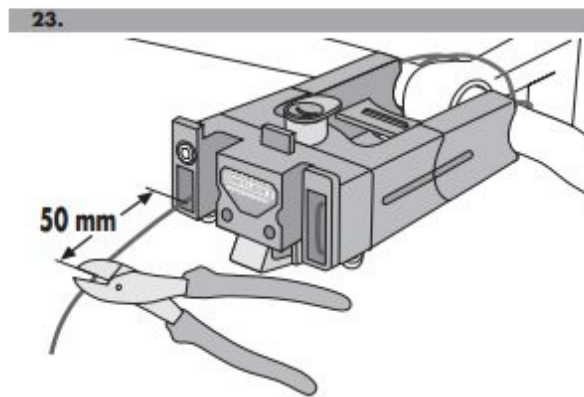
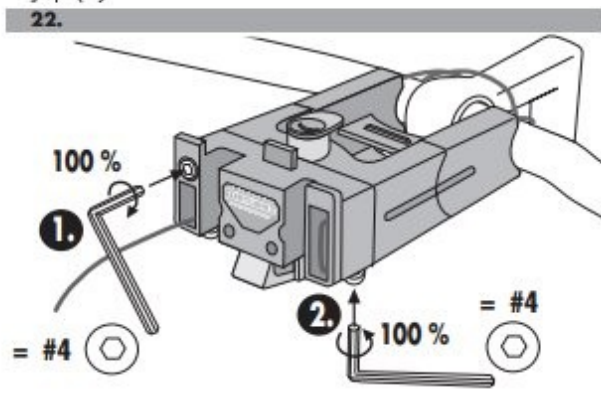
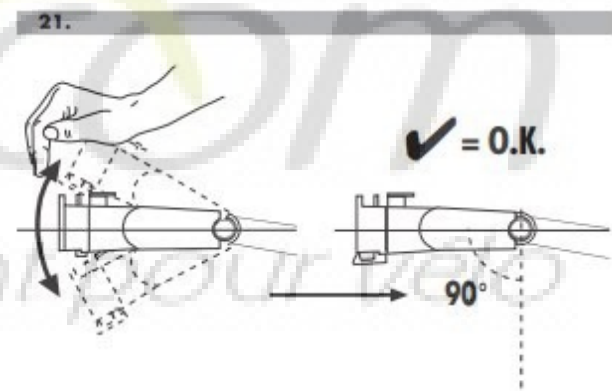
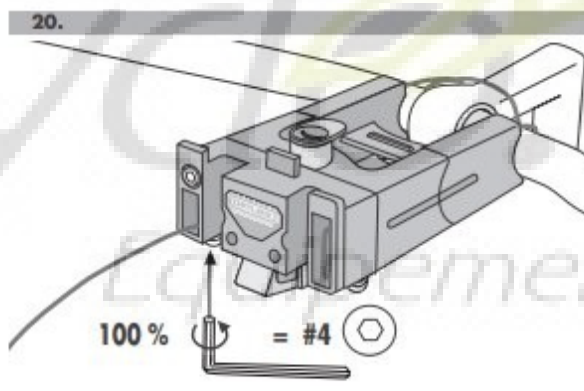
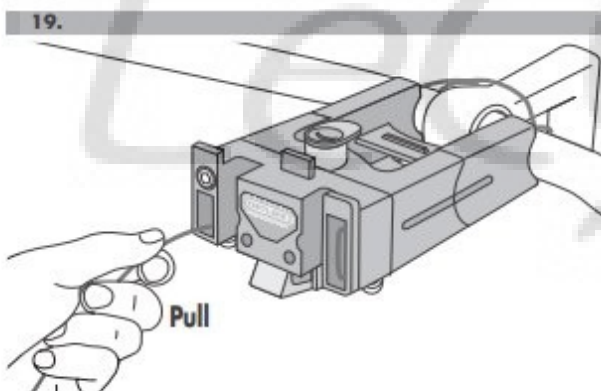
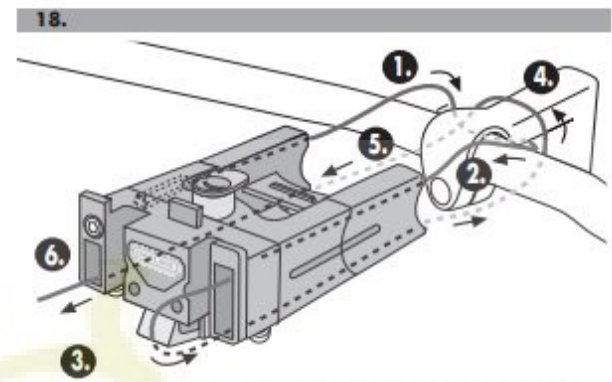
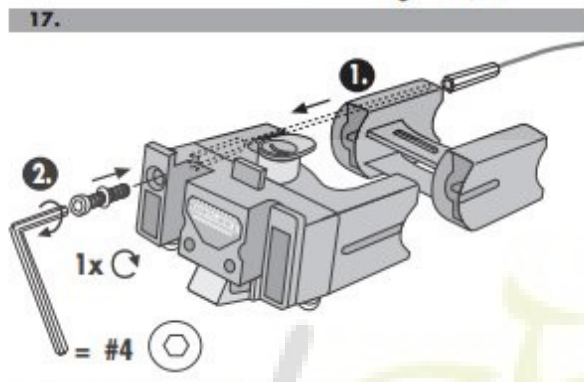
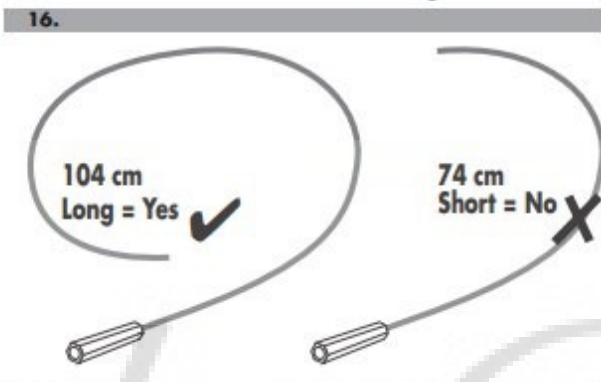
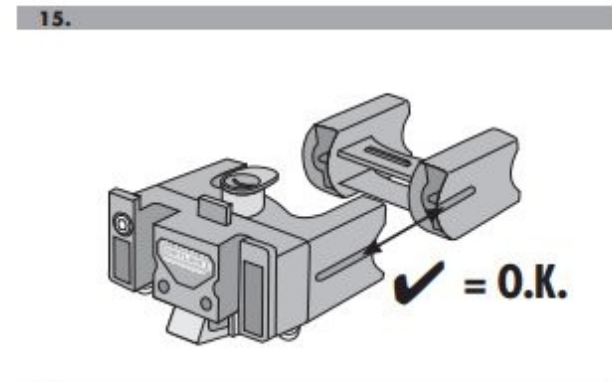
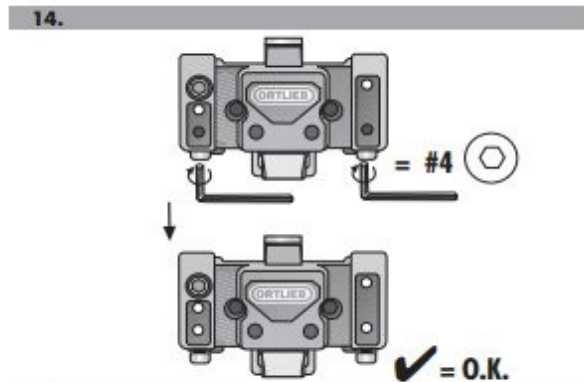
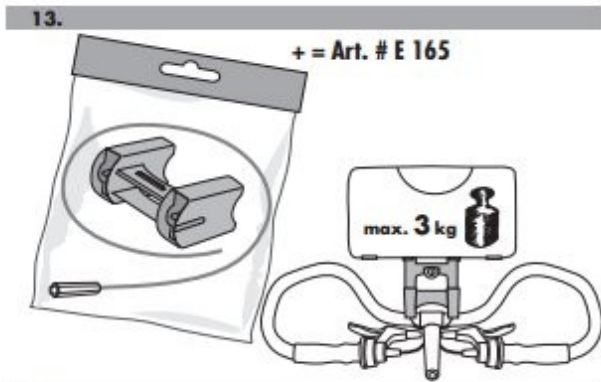
10.

50 mm

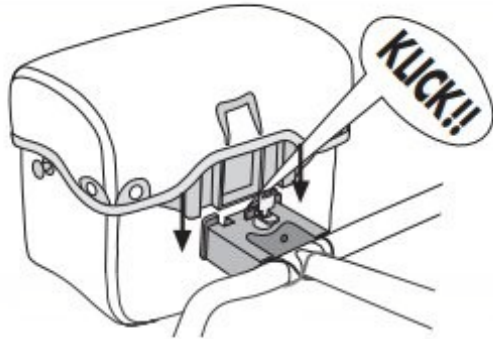
11.

12.

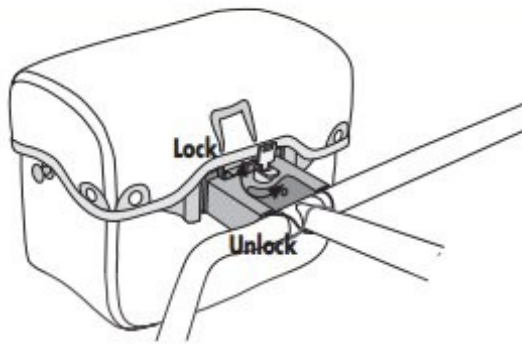
max. 3 kg



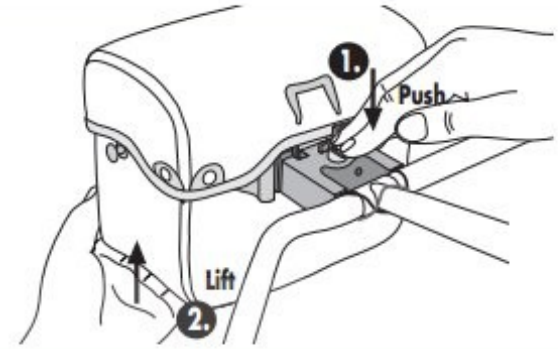
25.



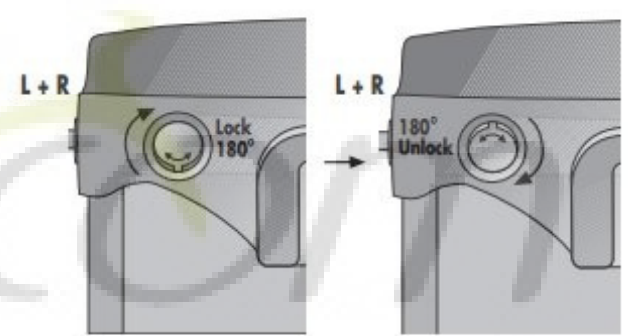
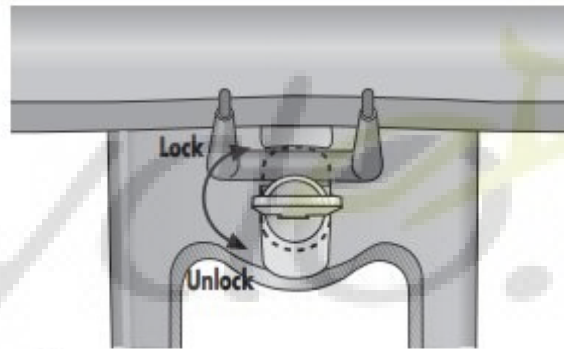
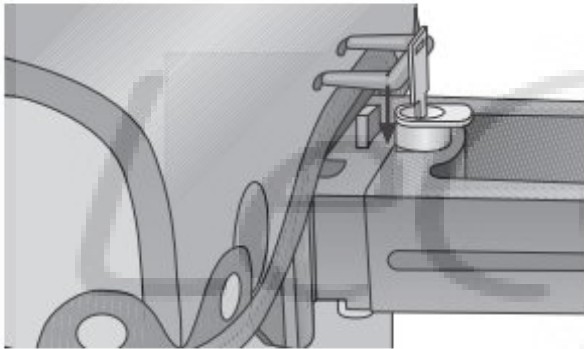
26.



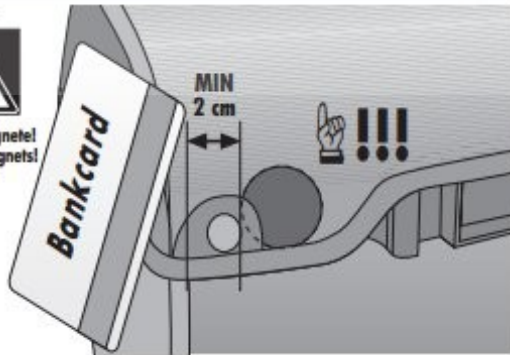
27.



OPTION PRO, PLUS, CLASSIC



Achtung Magnetel
Attention magnets!



OPTION

