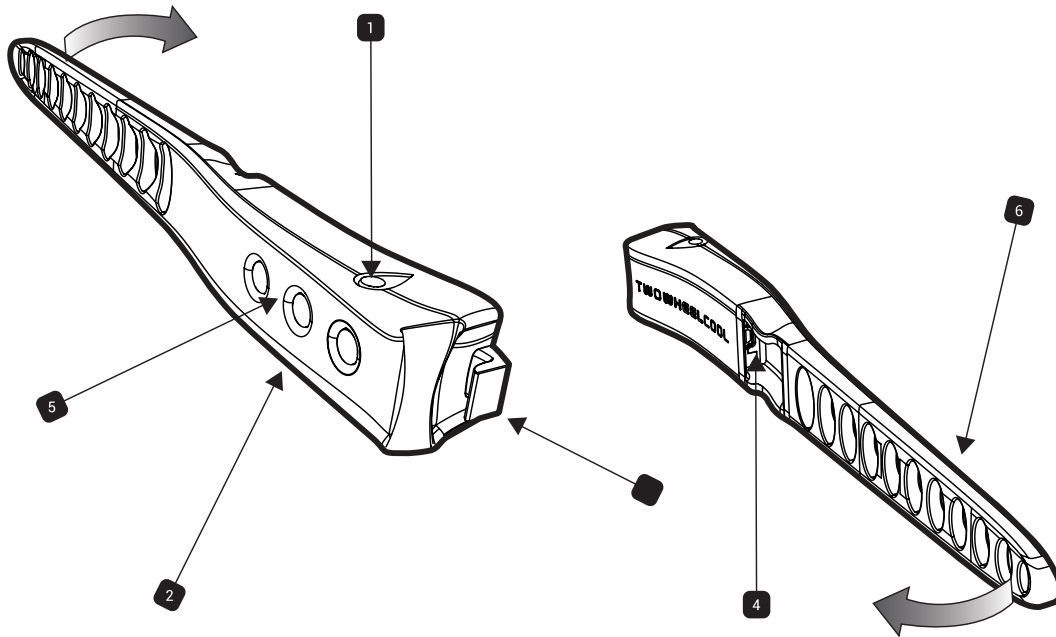


USER MANUAL

TWOWHEELCOOL omni

MULTI-USE LIGHT



Ensure the USB connection into the light is very firm and push the cable in until you feel a gentle 'click'.

We suggest overnight charging before the first use.

- 1 • Control button (On, Off and hold down for Modes)
- 2 • Rear LED lights (red)
- 3 • Strap hook
- 4 • USB charge port
- 5 • Battery indication
- 6 • Adjustable silicone strap

TECHNICAL SPECIFICATIONS

Multi-functional Wearable Light

LED	40 Lumen Red LED (Rear light)
BATTERY	Rechargeable Lithium Polymer LiPo
FEATURES	Water resistant silicone, USB rechargeable battery, integrated adjustable silicone strap, low battery indicator light.

MODES

STEADY	4 hours burn time
FAST FLASH	7 hours burn time
PULSE	6 hours burn time
SLOW FLASH	45 hours burn time
CHARGE TIME	5 hours
DIMENSIONS	283 x 30 x 30 mm
WEIGHT	35 grams
MATERIALS	Silicone outer, ABS case, ABS hook and polycarbonate lens.

OPERATION Hold control button (1) for two seconds to power OMNI on/off. Press control button (1) to scroll through light modes once power on.

LOW BATTERY The low battery light (5) will turn red when the OMNI is powered off and requires charging. When connected to the computer or safe power adaptor, the Battery Indication Light (5) will shine red. When fully charged, the light will turn off indicating the unit is fully charged.