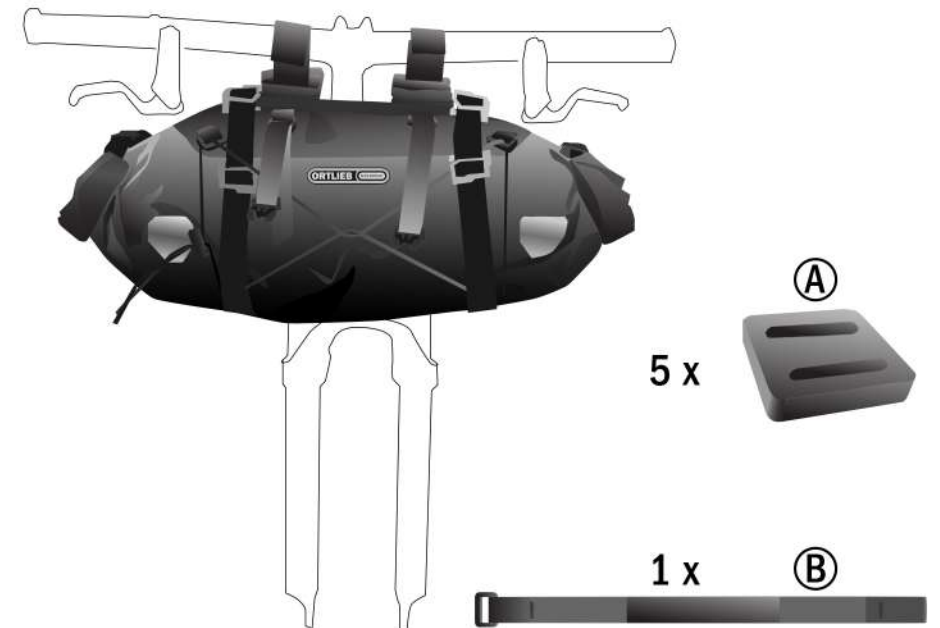


Accessory-Pack
= Art. # F9951

Handlebar-Pack 15 L



- | | | | |
|-----------|--------------------------|-----------|---------------------------|
| DE | MONTAGEANWEISUNG: | ES | INSTRUCCIONES DE MONTAJE: |
| EN | ASSEMBLY INSTRUCTIONS: | SE | MONTERINGSANVISNING: |
| FR | INSTRUCTIONS DE MONTAGE: | NO | MONTERINGSANVISNING: |
| IT | ISTRUZIONI DI MONTAGGIO: | FI | ASENNUSOHJEET: |
| NL | MONTAGE HANDLEIDING: | PL | INSTRUKCJA MONTAZU: |
| DK | MONTERINGSVEJLEDNING: | JP | 換気の良い所に保管してください。 |

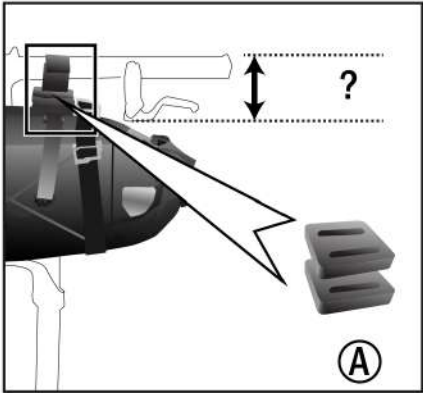


WEITERE INFORMATIONEN:
MORE INFORMATION:

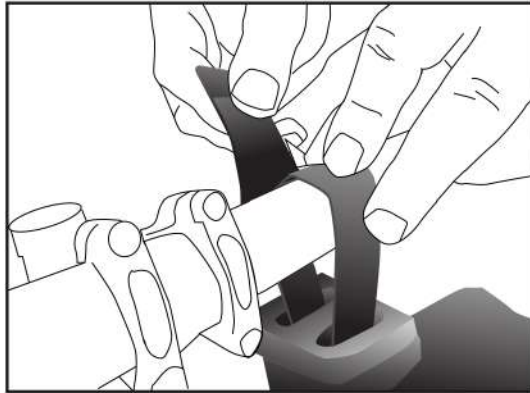
<https://www.youtube.com/watch?v=CuMWYUYhSoM>



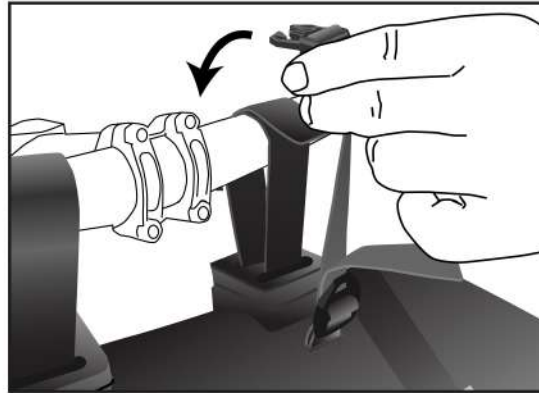
1



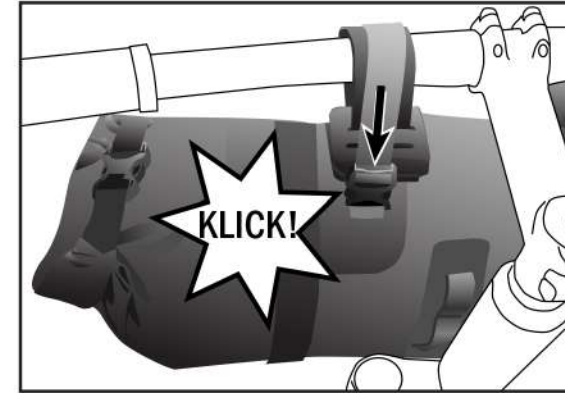
2



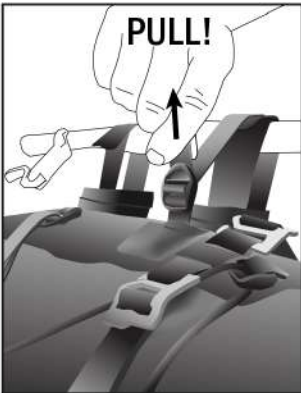
3



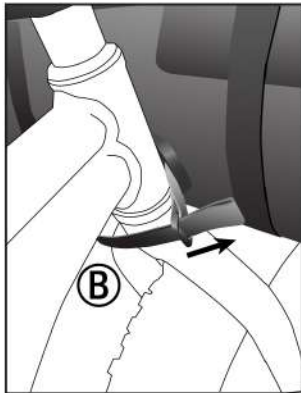
4



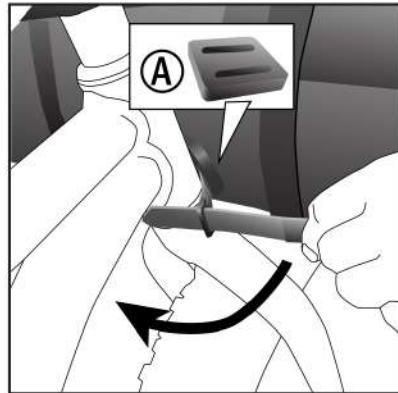
5



6



7



8

