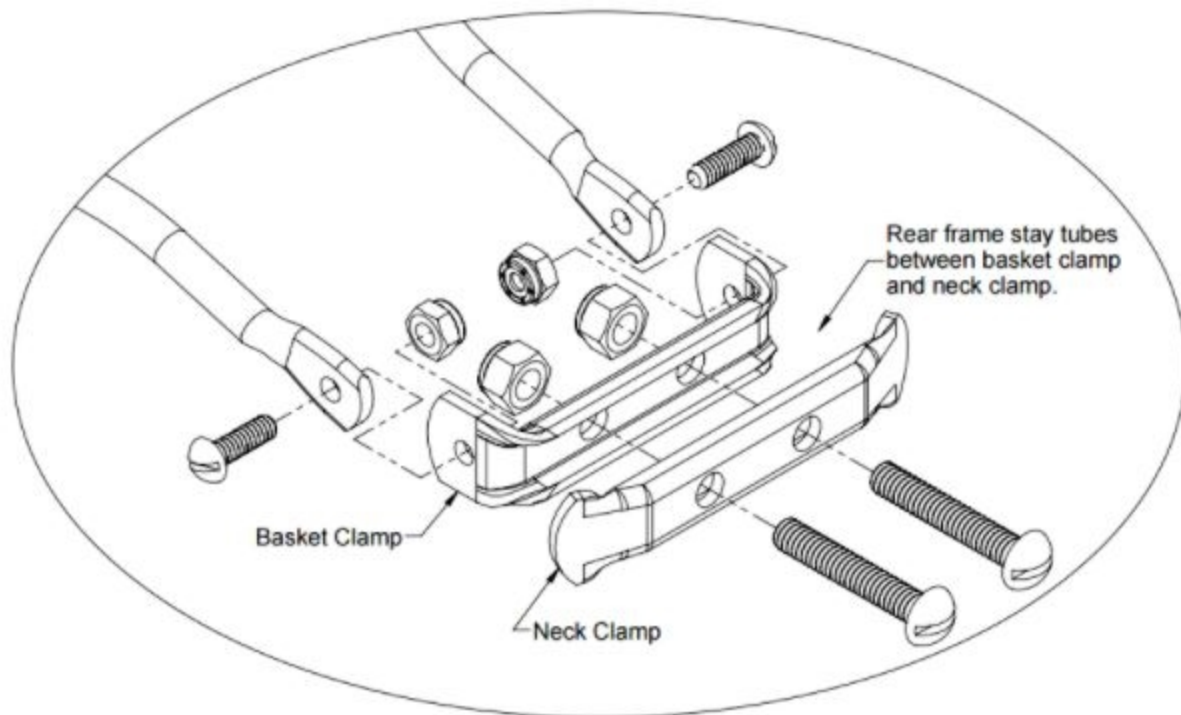


520 / 535 / 570 BASKET ASSEMBLY INSTRUCTIONS



1. Loosely assemble the basket clamp using the short screws and nuts.
2. Set the basket on the rear tire and loosely assemble the neck clamp to the basket clamp using the long screws and nuts. The seat stay tubes of the bicycle frame will go between the basket and neck clamp.
3. Legs mount to either rear axle or the rear dropout eyelet so that the carrier is level.
4. If mounting to axle, remove axle nut one side at a time. Put the leg on the axle and tighten axle nut.
5. Repeat for the other side.
6. Tighten all the bolts and nuts.