

### PRINTING AND FITTING SPECIFICATIONS

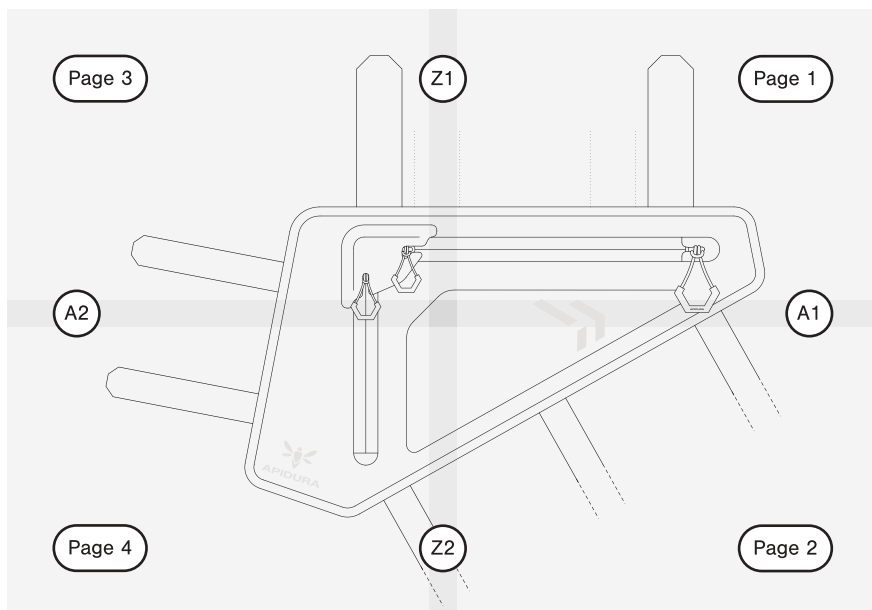
- Print this document on A4 sheets of paper (21 x 29.7cm).
- Ensure you print at 100 % scale.
- Measure both sides of this box to check scale is correct.
- Fit the prints together following the numbering system on the edge of each sheet. Ensure crosses are aligned.
- Tape the sheets together and cut around the Pack's outline
- When fitting this printed template to your bike, keep in mind that the Frame Pack will be more flexible as it is built from fabric.

10cm  
3.9in

10cm / 3.9in

.....  
Alternative placement  
for the velcro strap

### SCALE EXAMPLE OF FINAL TEMPLATE



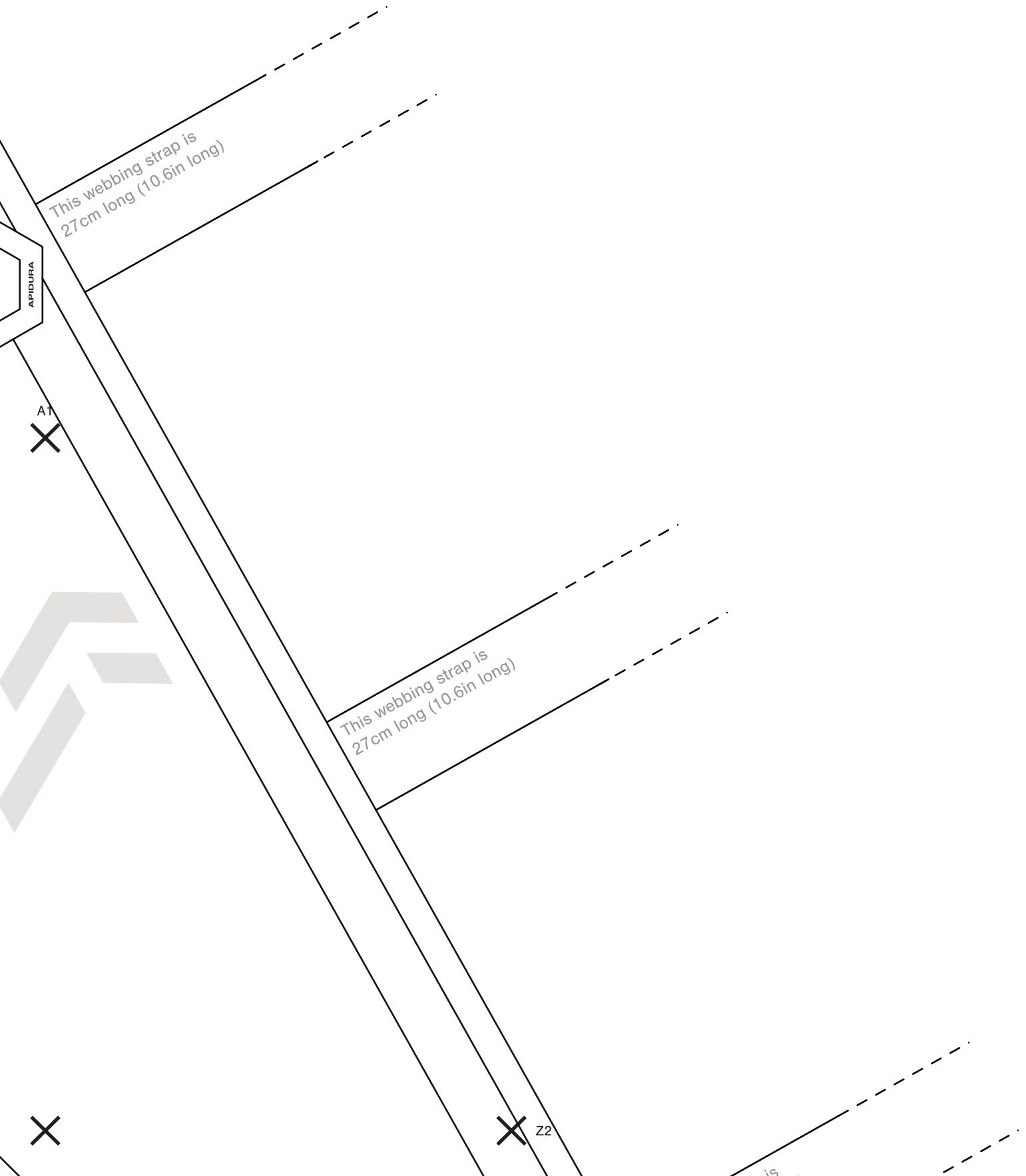
.....  
Alternative placement  
for the velcro strap  
X Z1

BACKCOUNTRY FULL FRAME PACK (2.5L)

This v  
27cm

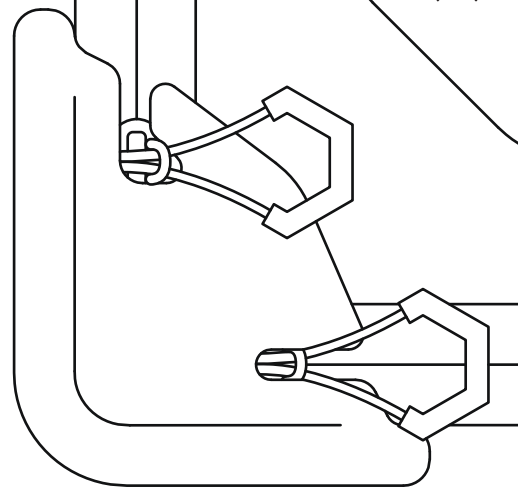
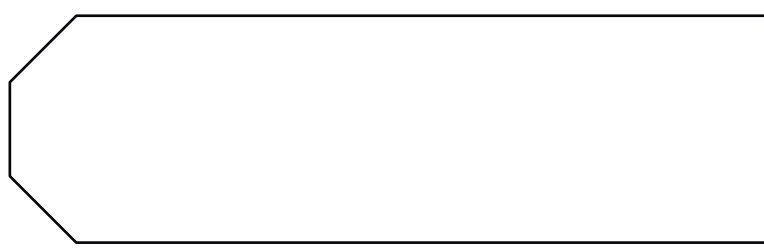
A1  
X

X

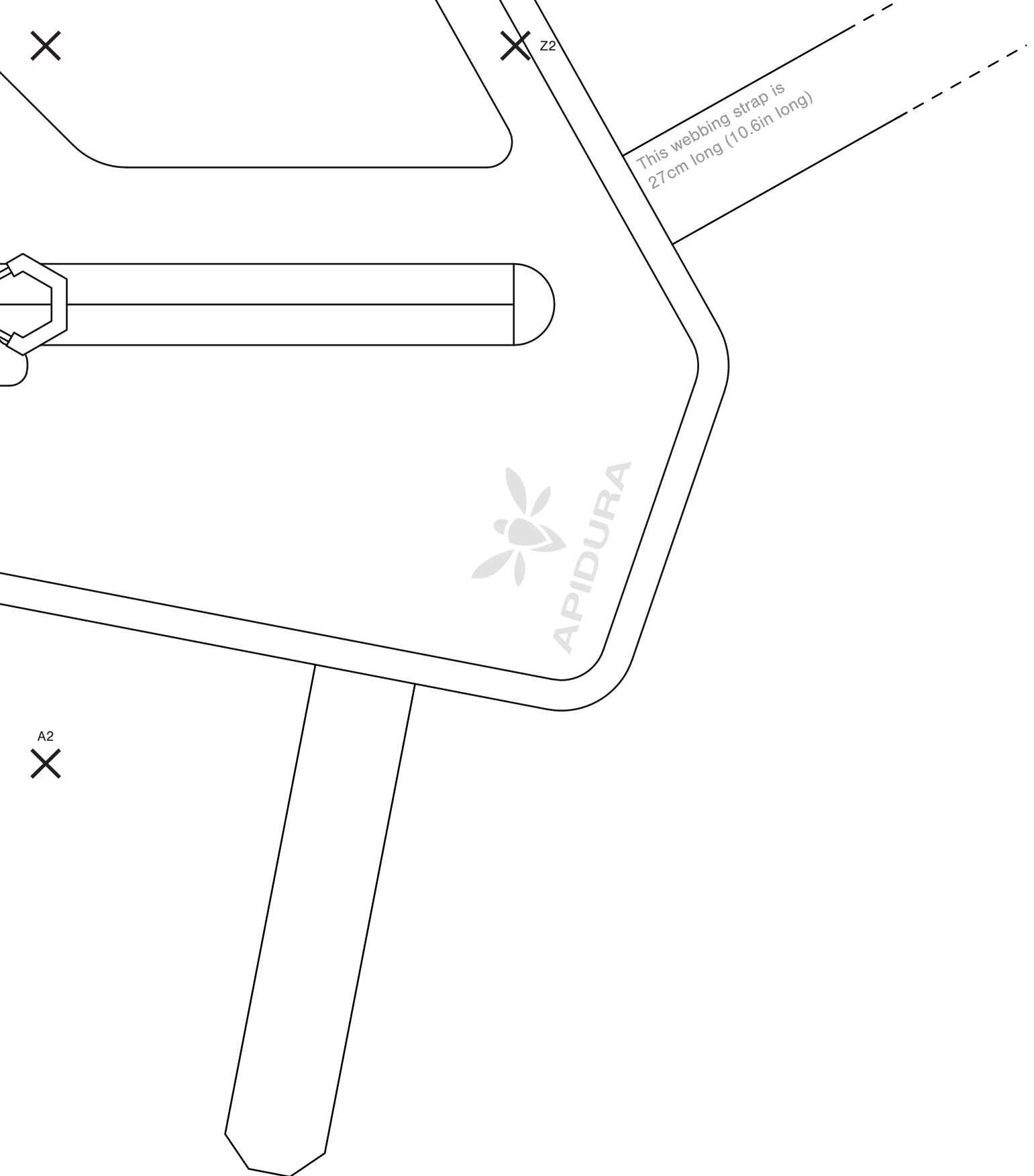


Alternative placement  
for the velcro strap  
X Z1

BACK



A2  
X



This webbing strap is  
27cm long (10.6in long)

APIDURA

X

X Z2

A2  
X

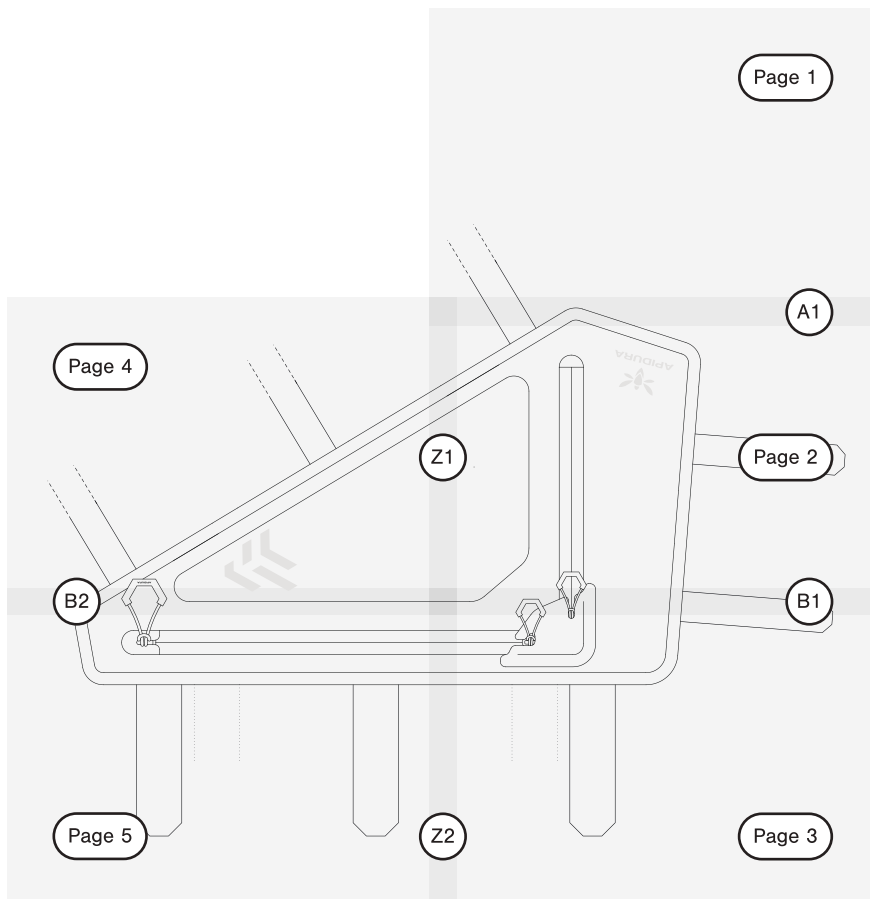
### PRINTING AND FITTING SPECIFICATIONS

- Print this document on A4 sheets of paper (21 x 29.7cm).
- Ensure you print at 100 % scale.
- Measure both sides of this box to check scale is correct.
- Fit the prints together following the numbering system on the edge of each sheet. Ensure crosses are aligned.
- Tape the sheets together and cut around the Pack's outline
- When fitting this printed template to your bike, keep in mind that the Frame Pack will be more flexible as it is built from fabric.

10cm  
3.9in

10cm / 3.9in

### SCALE EXAMPLE OF FINAL TEMPLATE

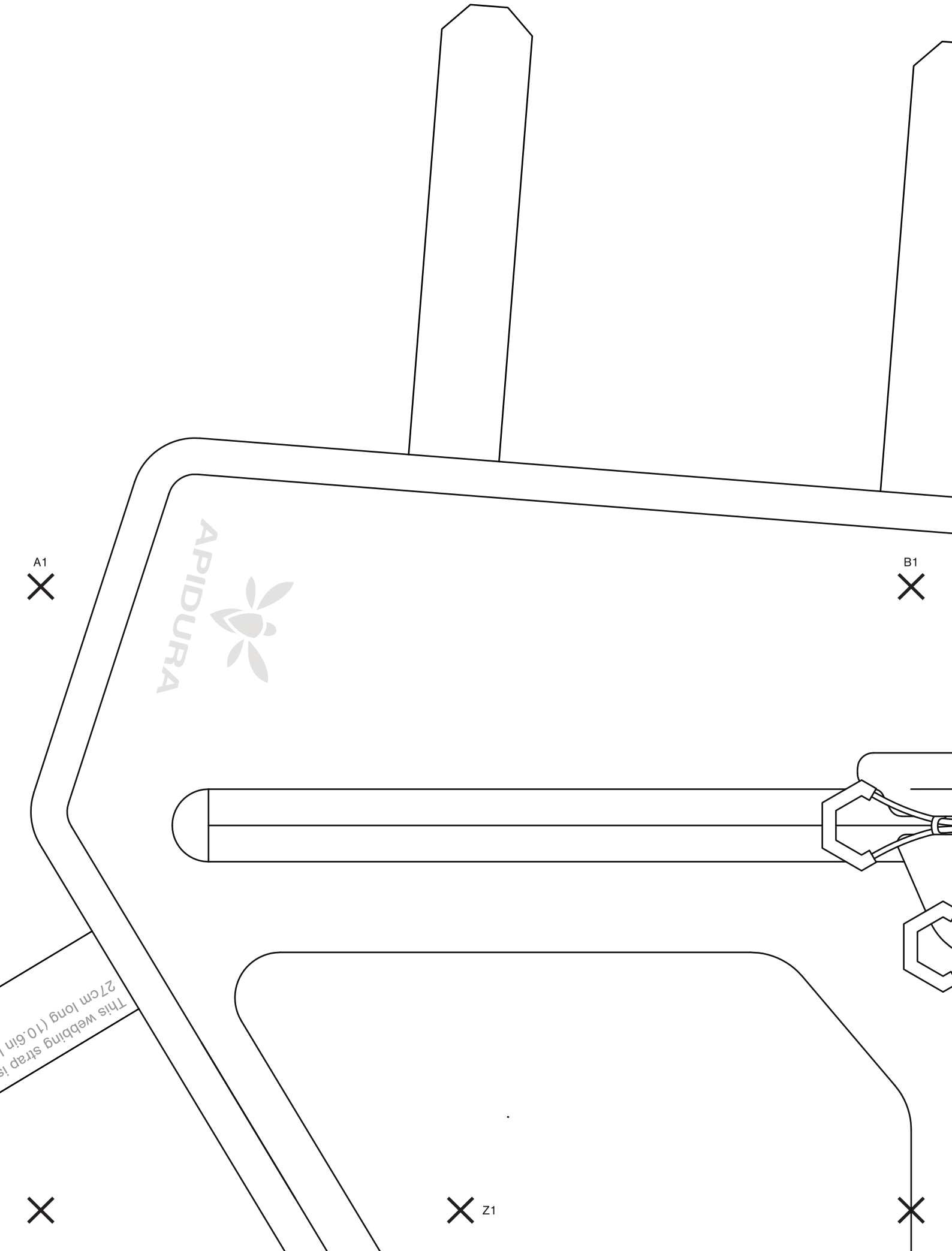


A1



(6uol i;9'0L) buol r  
st p;ats buipoc





APIDURA



A1 X

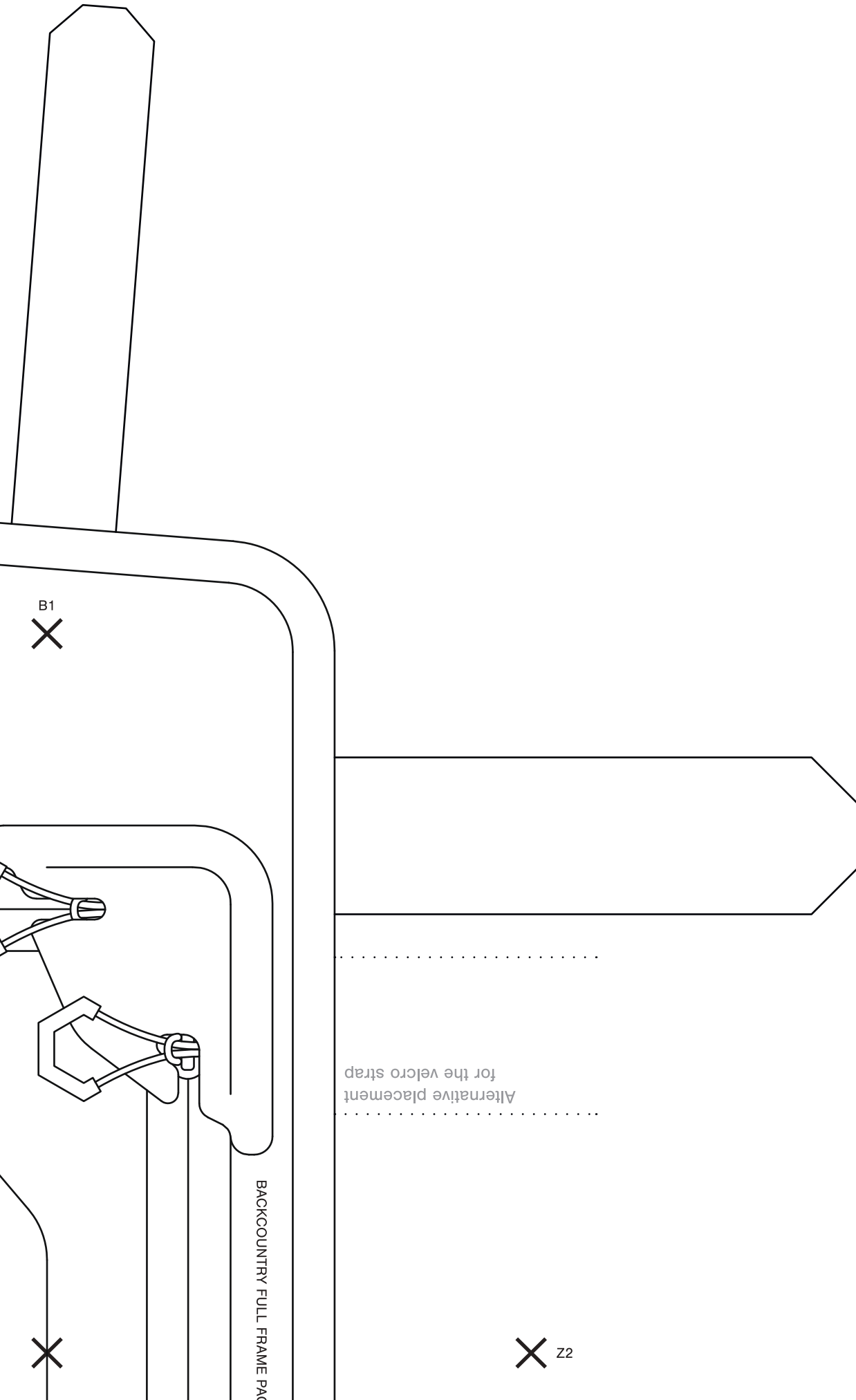
B1 X

This webbing strap is  
27cm long (10.6in)

X

X Z1

X



B1  
X

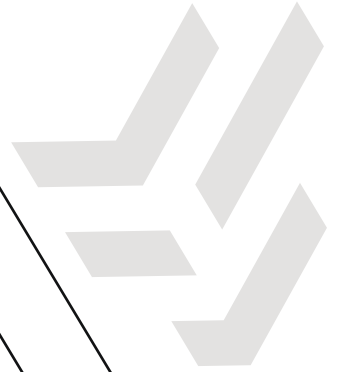
Alternative placement  
for the velcro strap

BACKCOUNTRY FULL FRAME PACK

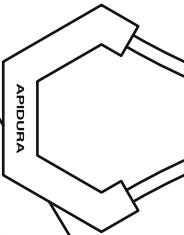
X Z2



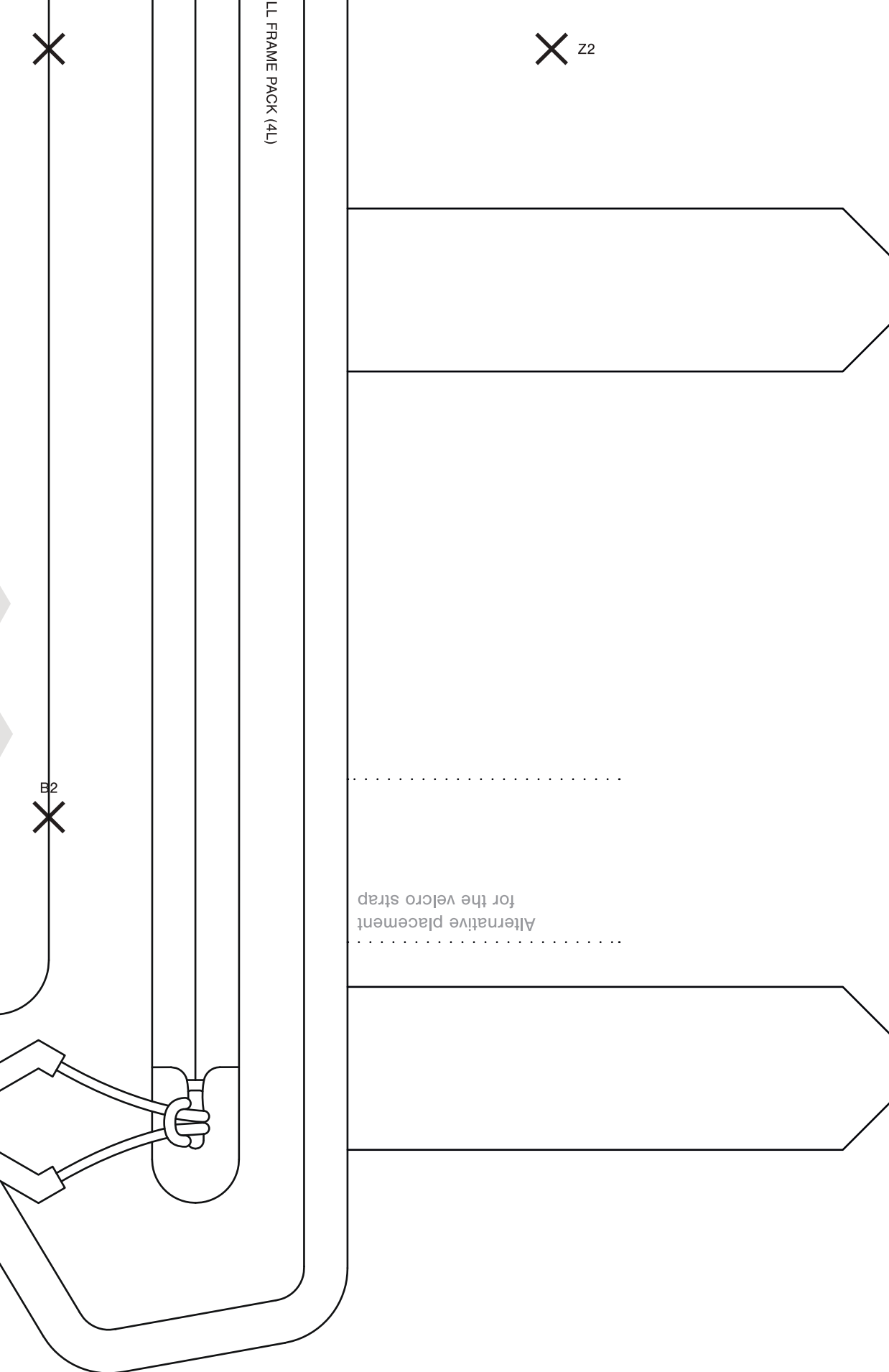
This webbing strap is  
27cm long (10.6in long)



This webbing strap is  
27cm long (10.6in long)







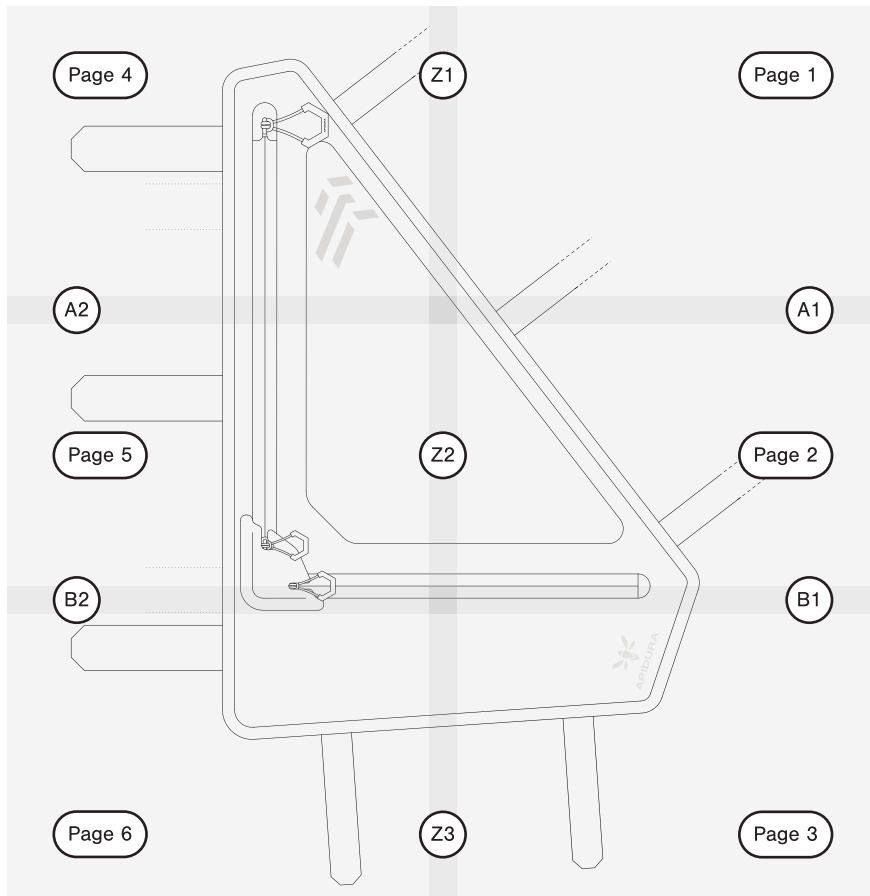
## PRINTING AND FITTING SPECIFICATIONS

- Print this document on A4 sheets of paper (21 x 29.7cm).
- Ensure you print at 100 % scale.
- Measure both sides of this box to check scale is correct.
- Fit the prints together following the numbering system on the edge of each sheet. Ensure crosses are aligned.
- Tape the sheets together and cut around the Pack's outline
- When fitting this printed template to your bike, keep in mind that the Frame Pack will be more flexible as it is built from fabric.

10cm  
3.9in

10cm / 3.9in

## SCALE EXAMPLE OF FINAL TEMPLATE



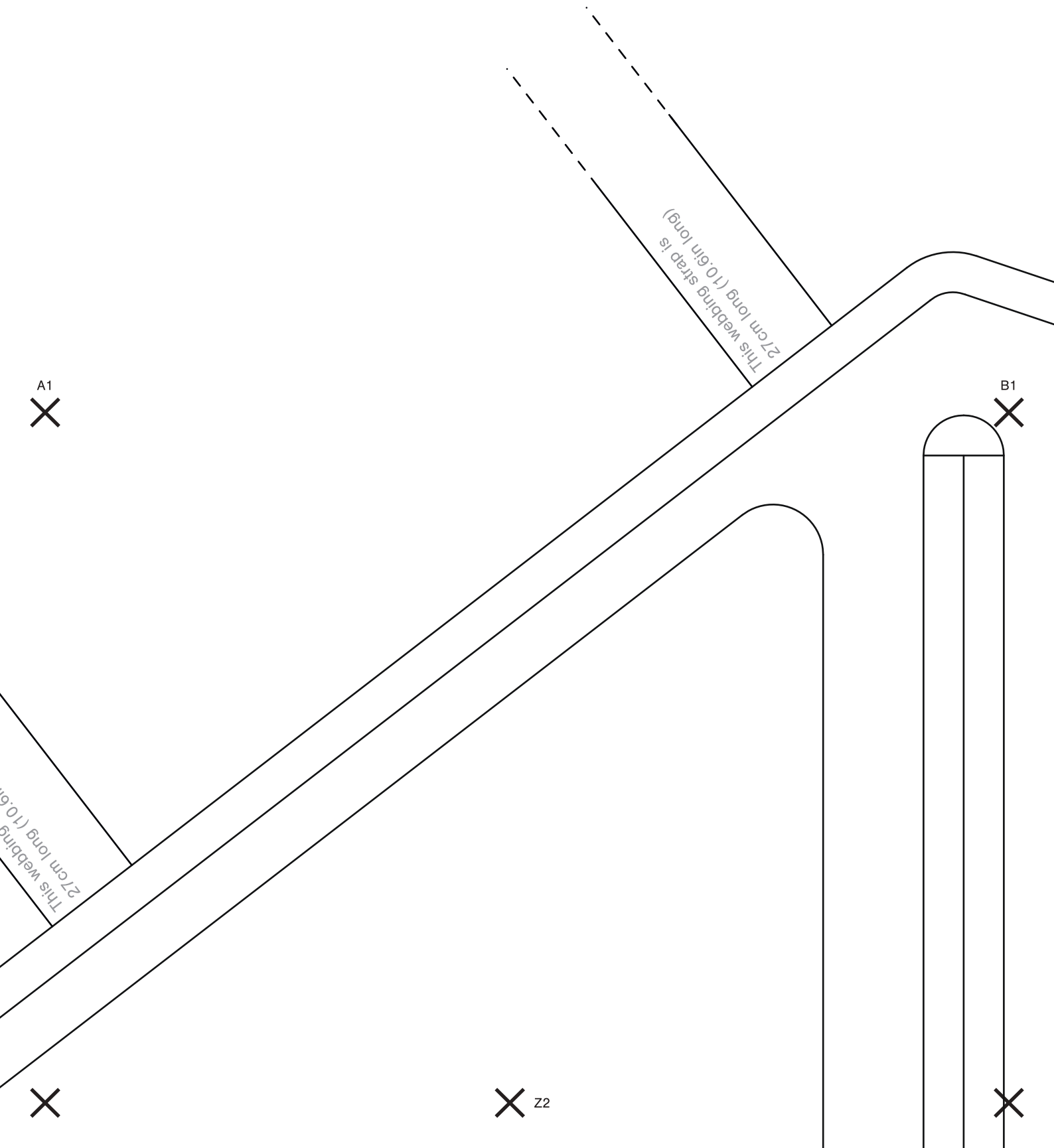
A1

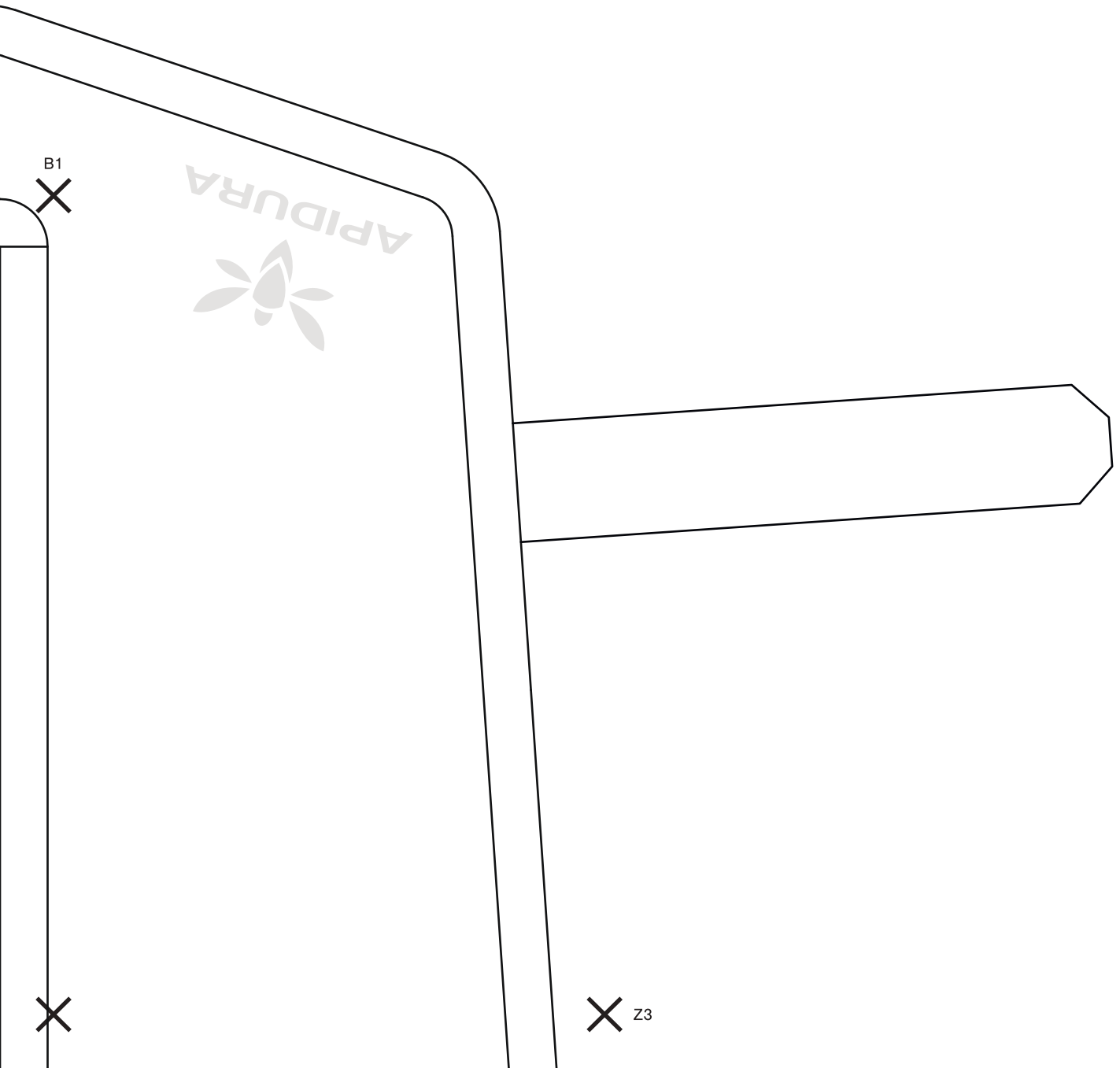


This webbing strap is  
27cm long (10.6in long)

X Z1





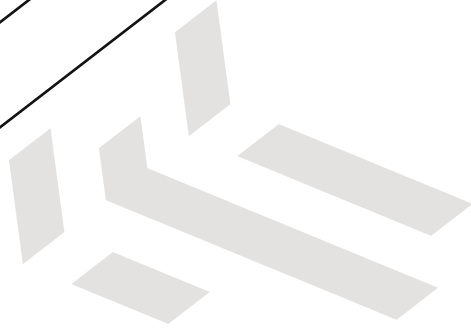


X Z1

X

This webbing strap is  
27cm long (10.6in long)

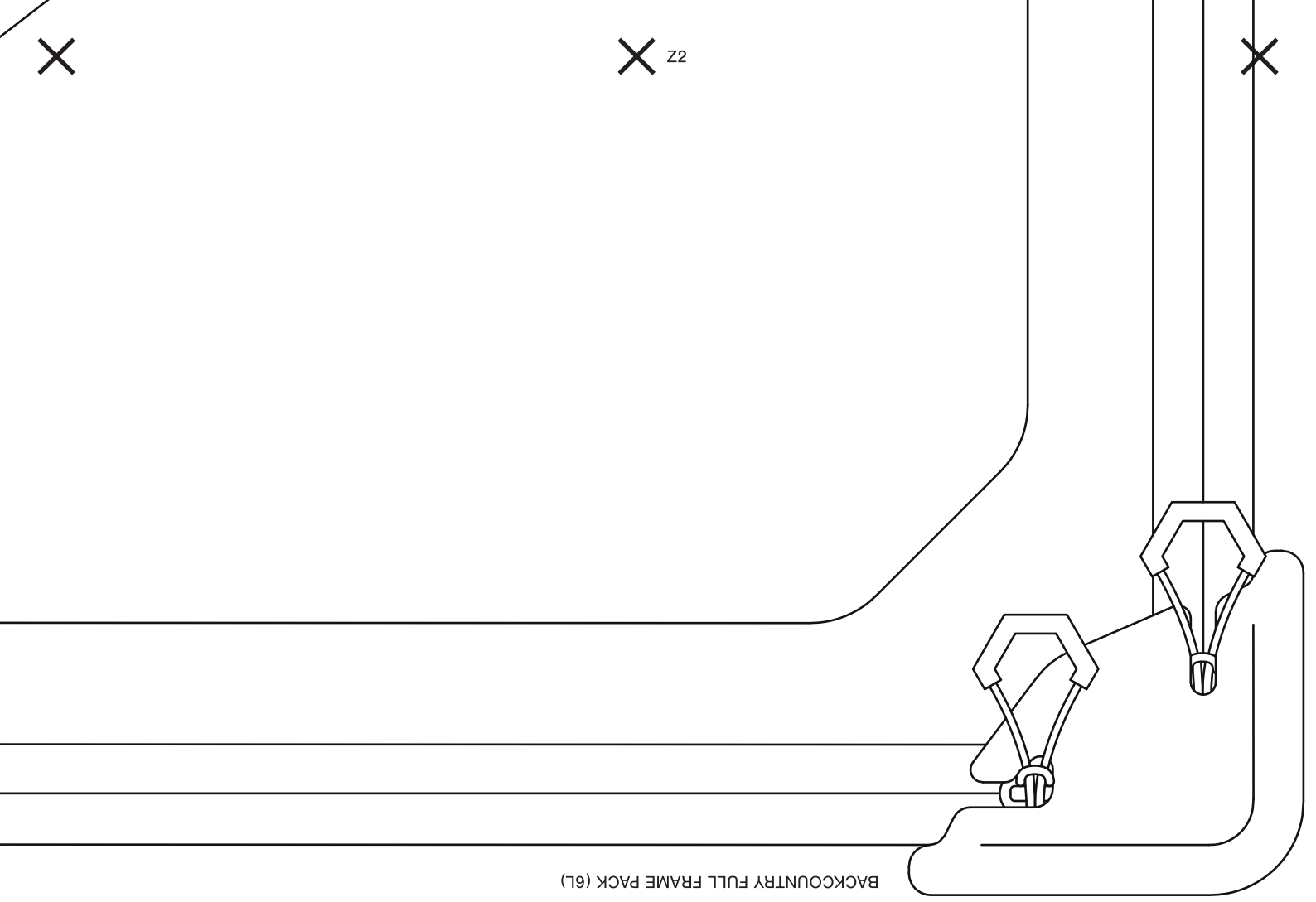
APIDURA



A2

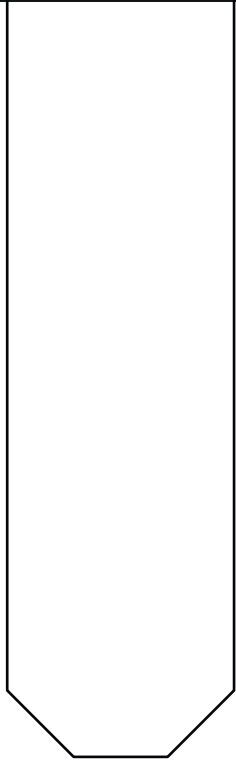
X

.....  
Alternative placement  
for the velcro strap  
.....



A2

B2



.....  
 Alternative placement  
 for the velcro strap  
 .....

